

Receiver

From

Company
Reference
Address
Phone
Fax
E-mail

Item n° : **Customer pos. no.:**

60194140

Model :

FEKA FXC 20.11 M-NA Ex 230 V

Type of installation :

Wet - Pump only

Pump data

Free passage : 50 mm
Max. immersion depth : 7 m
Min. fluid temperature : 0 °C
Max. fluid temperature : 50 °C

Requested data

Flow :
Head :
Fluid : Water
Fluid Temperature : 20 °C
Density : 998,3 kg/m³
Kinematic viscosity : 1,005 mm²/s
Vapor pressure : 0,023094 atm

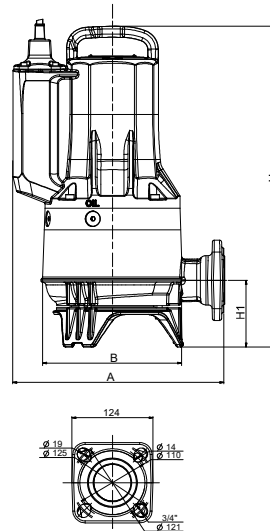
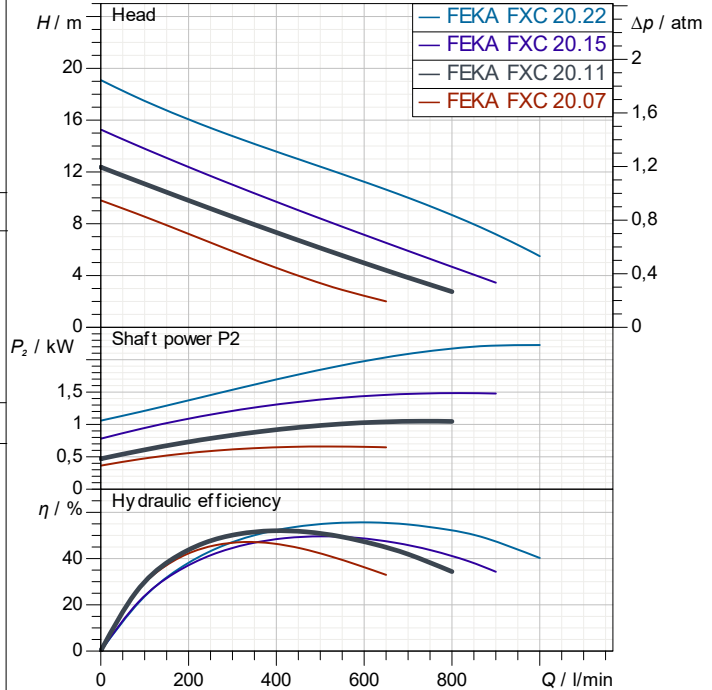
Hydraulic data (duty point)

Flow :
Head :

Materials

Handle Cast iron (EN GJL 200)
Pump body / motor Cast iron (EN GJL 200)
Impeller Cast iron (EN GJL 250)
Mechanical seal pump side SIC-SiC/SiC-C
Mechanical seal motor side SiC/Carbon
O-Ring NBR
Motor shaft Stainless Steel AISI 431

Curve tolerance according to ISO 9906



Motor data

Motor brand : DAB
Nominal power P2 : 1 kW
Rated speed : 2.870 1/min
Rated voltage : 1~ 230 V 50 Hz
Nominal current : 6,3 A
Degree of protection : IP 68

Weight : 37 kg

Accessory weight :

Dimensions in

mm

A	322				
B	210				
DN1	50				
GAS	Rp 2"				
H	487				
H1	103				

Pump connection

Suction side : --
Discharge side : Rp 2" - DN 50 PN10/6



PERFORMANCE CURVES

2024-10-04

Page 4 / 5

DAB PUMPS S.p.A.
Via Marco Polo, 14 - 35035 Mestrino (PD), Italy
Tel. +39 049 5125000 - Fax +39 049 5125950
www.dabpumps.com

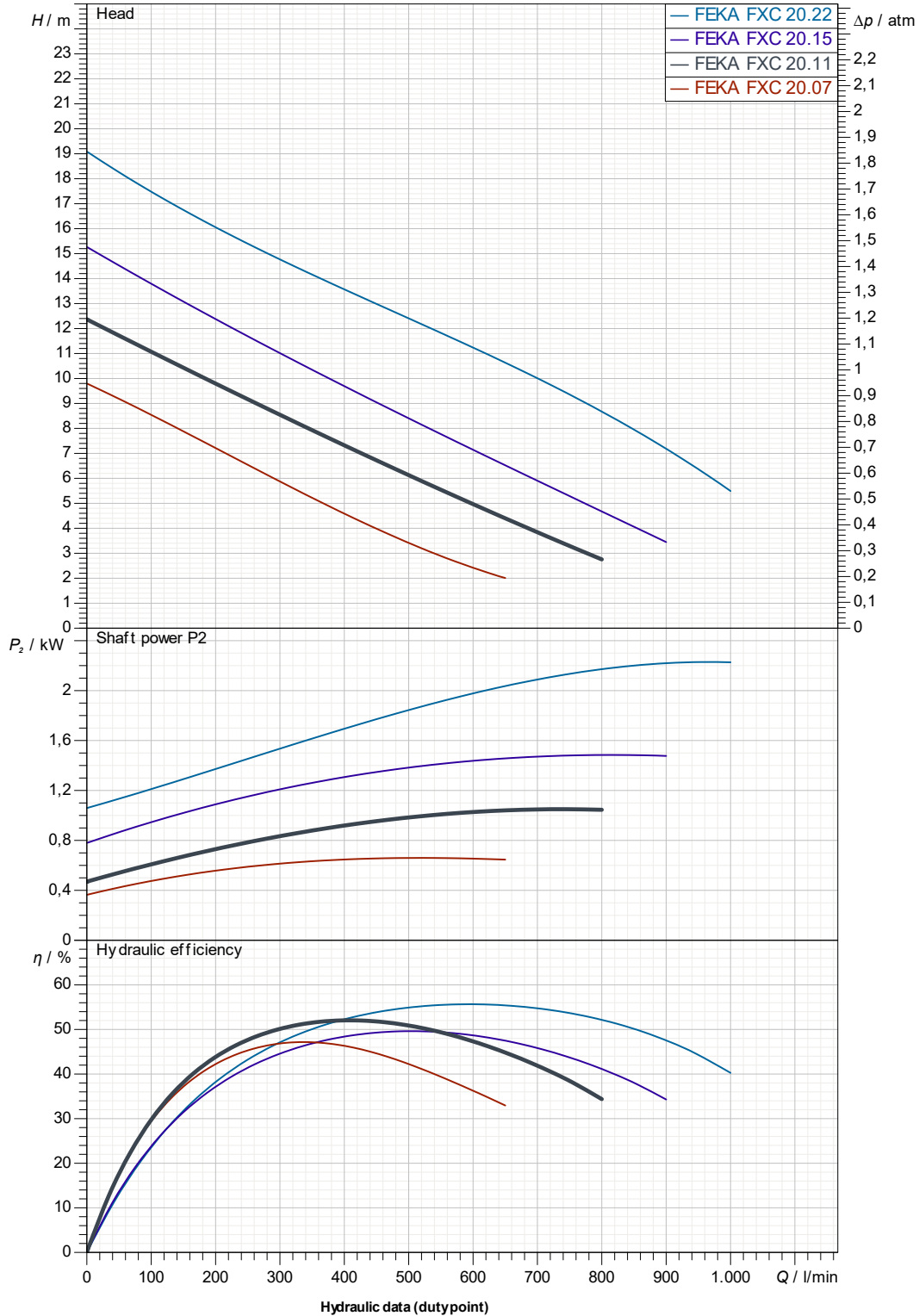
Receiver

From

Company
Reference
Address
Phone
Fax
E-mail

FEKA FXC 20.11 M-NA Ex 230 V

Curve tolerance according to ISO 9906



Suction side :

Discharge side :
Rp 2" - DN 50 PN10/6
--

Flow :

Head :

Rated speed :
2.870 1/min

MAIN_PROJECT_TITLE

BUSINESS_PROCESS_ID

OWNER_

ISSUE_DATE

2024-10-04



DIMENSIONAL DRAWING

2024-10-04

Page 5 / 5

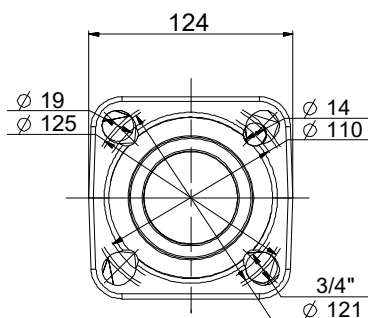
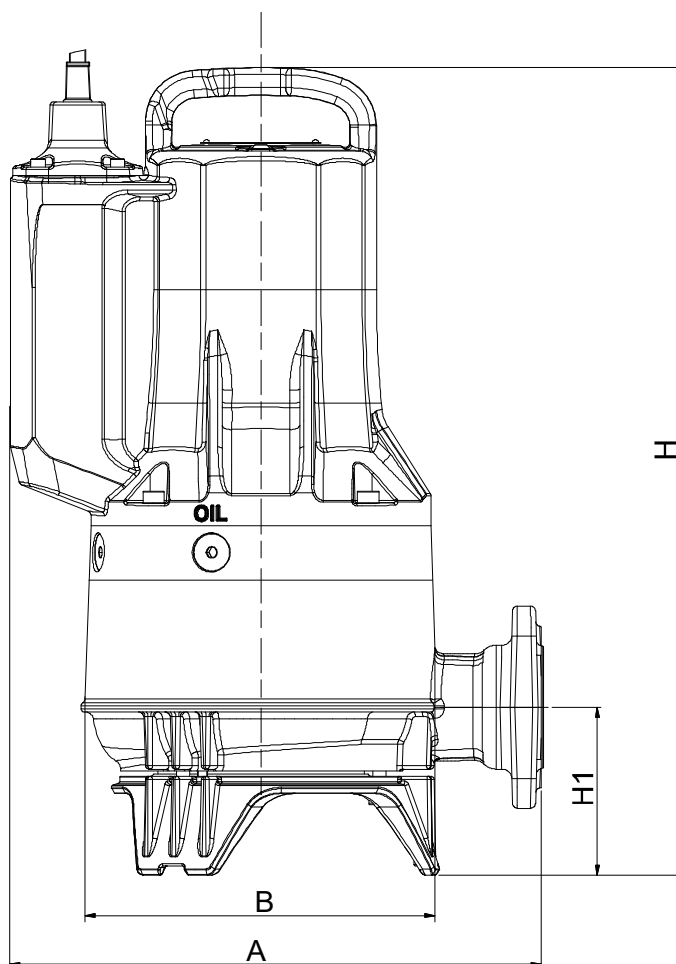
DAB PUMPS S.p.A.
Via Marco Polo, 14 - 35035 Mestrino (PD), Italy
Tel. +39 049 5125000 - Fax +39 049 5125950
www.dabpumps.com

Receiver

From

Company
Reference
Address
Phone
Fax
E-mail

FEKA FXC 20.11 M-NA Ex 230 V



Dimensions in mm

Pump connection

1
2
3
4
5
6
7
8
9
10
11

A	322
B	210
DN1	50
GAS	Rp 2"
H	487
H1	103

Suction
Discharge
Rp 2" - DN 50 PN10/6
--

MAIN_PROJECT_TITLE

BUSINESS_PROCESS_ID

OWNER_

ISSUE_DATE

2024-10-04